

# Specifications

---

## MS-W-09



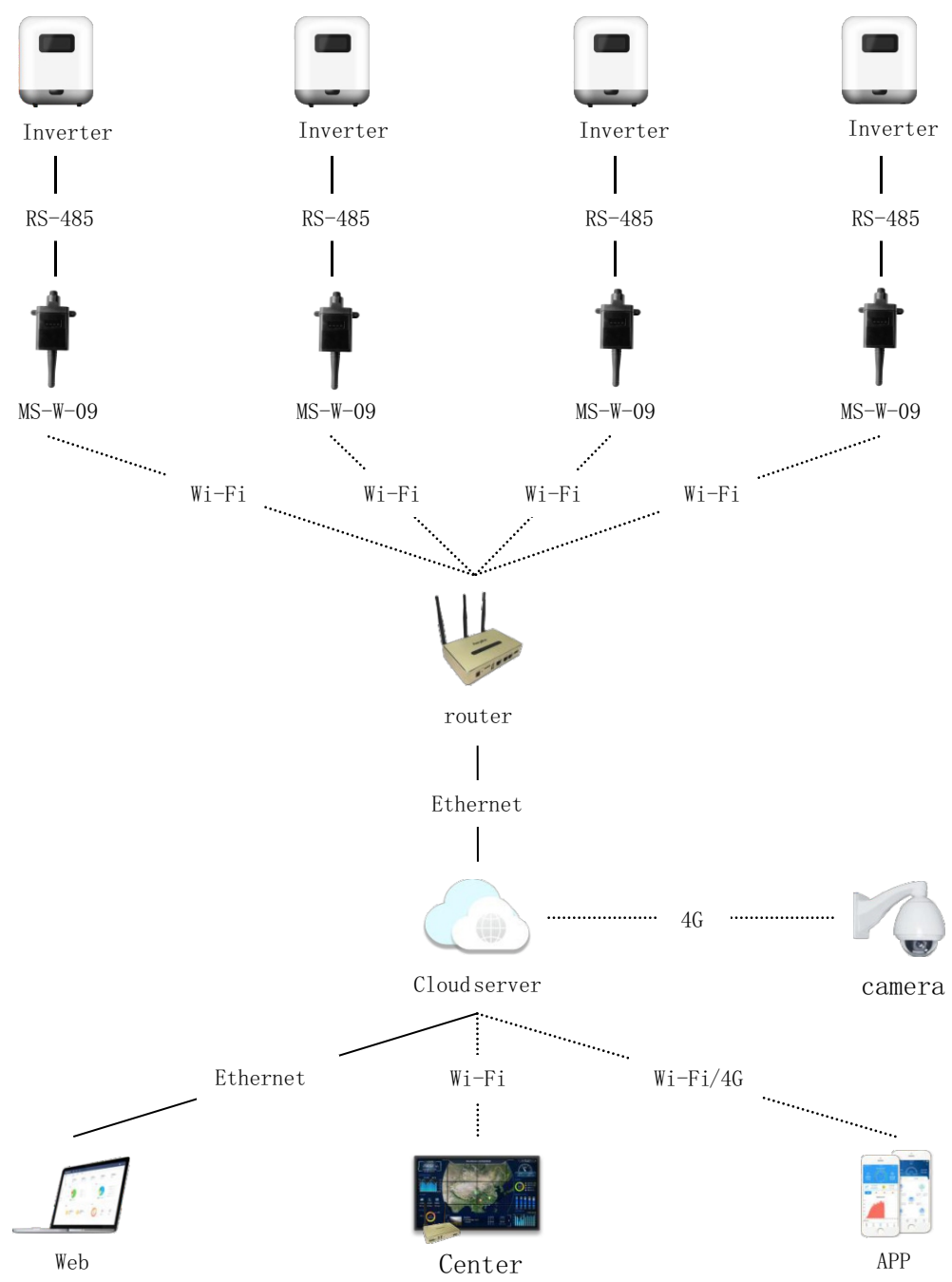
## Contents

1. PRODUCT DESCRIPTION.....	3
2. PRODUCT FEATURES.....	4
2.1 Easytouse.....	4
2.2 General.....	4
2.3 Flexible.....	4
3. PRODUCT APPEARANCE.....	5
4. PRODUCT INTERFACES.....	7
5. PRODUCT SPECIFICATION.....	9

# 1. Product description

The Wi-Fi Plug Pro-22 wireless accessory product is used to extend the Wi-Fi wireless network data transmission channel of the device. It is fixed on the device through a four-pin aviation interface (RS-485), has an IP65 protection level, and is easy to install, Strong anti-interference ability, no need to configure additional power supply and other advantages; and supports remote control, remote debugging, remote upgrade and other functions of the device; access to the cloud server with the help of a router, so as to provide users with a complete remote, low-cost and visual monitoring solution.

Wi-Fi Plug Pro-22 Product networking solution



# 2. Product Features

## 2.1 Easy to use

1. Simple installation: plug and play ;
2. Simple replacement loss: external plug type, no need to disassemble the equipment, safe and fast;
3. Simple configuration: proximal setting (APP), remote setting ;
4. Simple maintenance: remote debugging, remote firmware upgrade (including inverter) ;
5. Easy to use: Power up first, second is networking, third is registration ;
6. Convenient power supply: direct power from the device end, without external power supply ;
7. Simple barrier arrangement: direct light transmittance LED, intuitive understanding of the working state ;

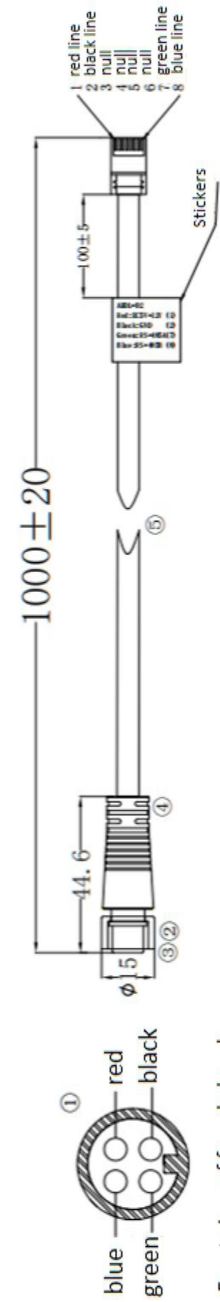
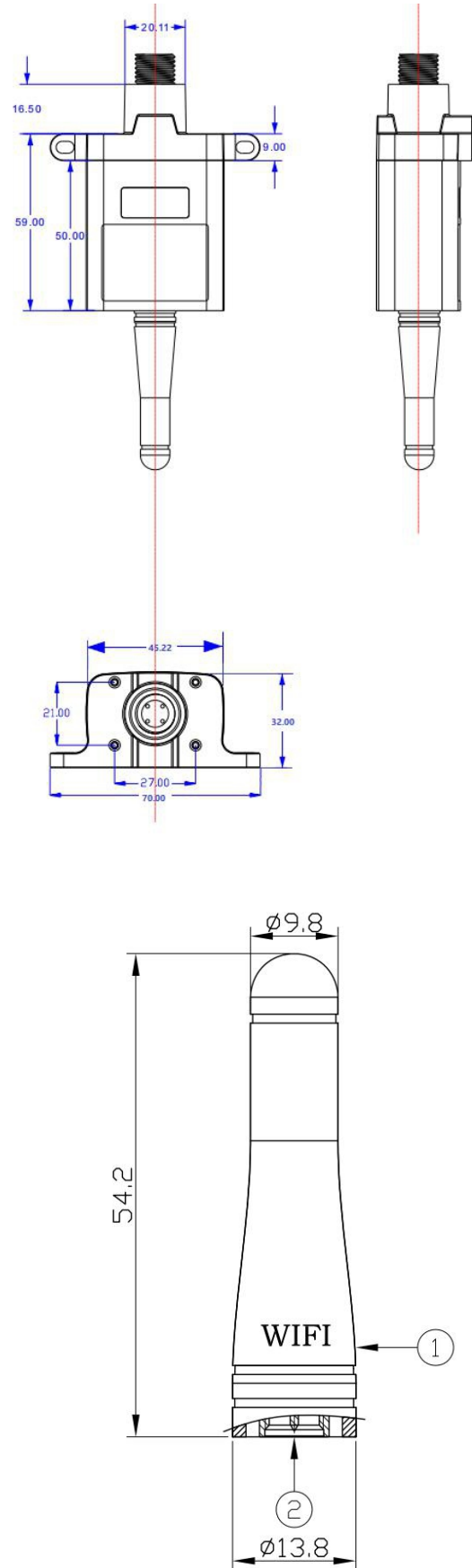
## 2.2 General

1. Device selection : Industrial grade device, workable in - 30 ~ + 85 °C for a long time ;
2. Protection measures : Undervoltage protection + lightning protection design, software watchdog + hardware watchdog ;
3. Stability mechanism : Heartbeat detection, networking retry, automatic repair of device disconnection ;
4. Data security : Private protocol, data verification, network disconnection and continuous transmission ( Not afraid of network outages ) ;
5. Wide - pressure design : DC5 ~ 12V wide voltage design, built-in power supply reverse connection function ;
6. Waterproof outdoor : IP65 protection class, suitable for outdoor environment.

## 2.3 Flexible

1. Protocol adaptation: support a variety of communication protocol automatic recognition and switching ;
2. Remote and local: with APP, remote and local monitoring can be realized simultaneously ;
3. On-site matching parameters: With APP, device parameters can be viewed and configured on site.

### 3. Product appearance



AHDL-02  
 Red:DC5V-12V (1)  
 Black:GND (2)  
 Green:RS-485A(7)  
 Blue:RS-485B (8)

Front view of female head

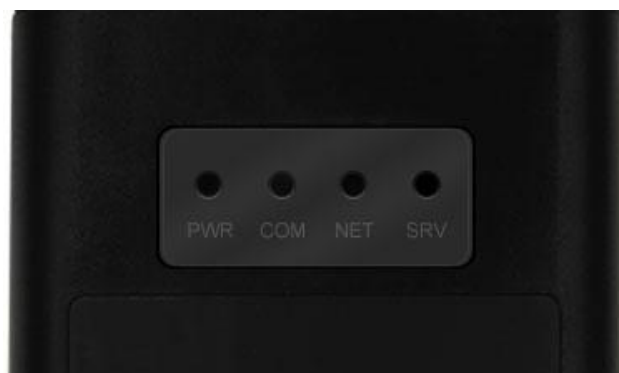
## 4. Product interfaces

### 4.1 Port definitions



Pin	RS485 Communication	Description
1	VCC	External DC voltage DC5V~12V
2	RS485A/+	RS485 portA/+
3	RS485B/-	RS485 portB/-
4	GND	Power ground

### 4.2 Indicator light definition



Number	STAIN	Description
1	PWR/power	ON : External power input
2	COM/equipment	ON : Subordinate devices respond
3	NET/networking	ON : Connect to Base Station
4	SRV/Cloud server	ON : Connect to the specified server

### 4.3 Crystal Head definitions



PIN	Pin definition	Describe
1	VCC	Red line External DC voltage DC5V~12V
2	GND	Blackline Power ground
3	NC	NC
4	NC	NC
5	NC	NC
6	NC	NC
7	RS485A/+	Green line RS485 portA/+
8	RS485B/-	Blueline RS485 portB/-



## 5. Product specification

category	entry	parameters
General parameters	Dimensions	70*27*137mm
	Weight	66g
	Protection class	IP65
	Rated voltage	DC5V~12V
	Maximum current	800mA(DC5V)
	Operation temperature	-30℃ ~ +85℃
	Storage temperature	-40℃ ~ +90℃
External interface	Mode of docking	HKJ(Aviation joint)
	work indicatinglamp	Indicator light: power supply, equipment, router, server, always on normal, off abnormal
Hardware	Data entry mode	RS-485
	Data output mode	Wi-Fi
	RS-485 Baud rate	9600bps (default)
	Hardware watchdog	support
Wi-Fi	Working frequency	2.4GHz
	WLAN STANDARD	802.11b/g/n
	Antenna gain	2.5dBi
	Antenna	External
	Datarate	11Mbps@11b, 54Mbps@11g, 72Mbps@11n
	Hardware encryption	WEP, WPA/WPA2
	Communication distance	100M (open environment)
	Operating mode	AP+STA(Coexistence pattern)
Software	Supported device protocols	Modbus-RTU (main current) , Non Modbus-RTU
	Supported network layer protocols	Modbus-TCP
	Language	Chinese、English
	Software watchdog	support
	Datauploadcycle	5min (default)
	Parameter configuration mode	APPor Built-in server
	Number of clients in AP mode	1 (preemptive)
	Cloudplatform	Eybond Value Clouds
Others	Number of connected devices	1
	Warranty	2 years
	Certification	CE,ROHS

